

TYPE G (wall)



2.8 mm 13.2 mm

THICKNESS +-18 mm

WEIGHT 12 kg/m²

MATERIAL COMPOSITION

- Core of 16 mm in MDF
- High-quality two-sided HPL finish (EN 438) of Abet Laminati
- Acoustic absorbing spun glass fabric

STD. MEASUREMENTS

- 3030 x192 mm (tongue/groove)
- 3030 x1200 mm (veneer)
- 3030 x1280 mm (HPL)

Made-to-measure on request.

PERFORATION

Standard 6.8 % continuous slits
Blade/groove: 13.2/2.8 mm

TOP LAYER

Print HPL 0.9 mm.
On request: lacquer, powdercoated, veneer or digital print.

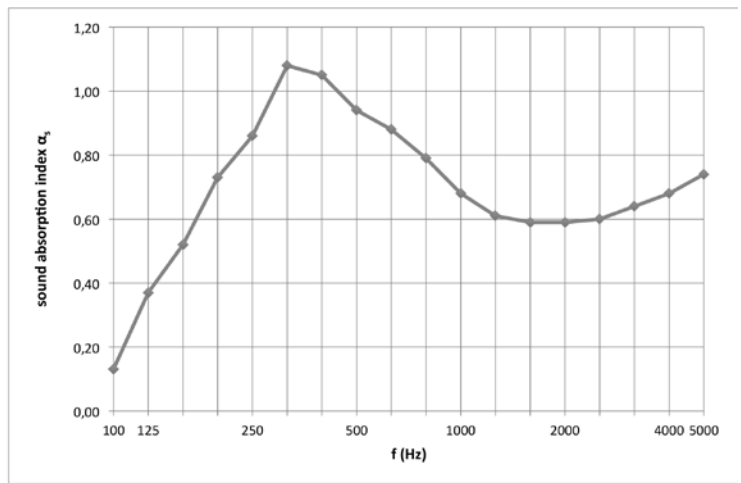
CORE

Black waterresistant MDF.
On request: standard MDF, red or black flame retardant MDF (B-s1-d0).

TEST SETUP IN LAB: WALLS

TOTAL THICKNESS
88 mm

f(Hz)	T1 (s)	T2 (s)	α_s
50			
63			
80			
100	7,36	5,43	0,13
125	8,98	3,98	0,37
160	9,81	3,36	0,52
200	10,03	2,65	0,73
250	8,57	2,27	0,86
315	7,84	1,87	1,08
400	7,01	1,86	1,05
500	6,74	1,99	0,94
630	6,76	2,08	0,88
800	6,71	2,24	0,79
1000	7,01	2,50	0,68
1250	6,89	2,65	0,61
1600	6,09	2,59	0,59
2000	5,47	2,47	0,59
2500	4,76	2,29	0,60
3150	3,93	2,02	0,64
4000	3,15	1,74	0,68
5000	2,47	1,46	0,74



f(Hz)	α_p
125	0,35
250	0,90
500	0,95
1000	0,70
2000	0,60
4000	0,70

$\alpha_w = 0,70$ (LM)
acoustical absorption class : C

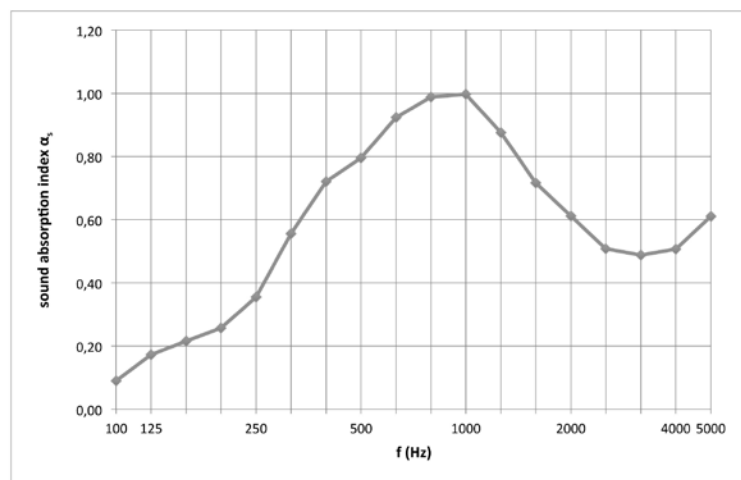
Type G 6.8 % 13.2/2.8 mm

Mounted on a wooden frame with a thickness of 70 mm, filled with 50 mm of Rockfit 431 adapt 40 kg/m³.

TEST SETUP IN LAB: WALLS

TOTAL THICKNESS
38 mm

f(Hz)	T1 (s)	T2 (s)	α_s
50			
63			
80			
100	12,23	9,44	0,09
125	10,79	7,21	0,17
160	9,82	6,27	0,22
200	9,09	5,60	0,26
250	9,36	4,96	0,36
315	9,30	3,92	0,56
400	9,26	3,34	0,72
500	9,40	3,15	0,80
630	10,04	2,90	0,92
800	9,95	2,75	0,99
1000	9,73	2,72	1,00
1250	8,92	2,89	0,88
1600	7,72	3,11	0,72
2000	6,69	3,17	0,61
2500	5,44	3,09	0,51
3150	4,32	2,71	0,49
4000	3,40	2,27	0,51
5000	2,54	1,74	0,61



f(Hz)	α_p
125	0,15
250	0,40
500	0,80
1000	0,95
2000	0,60
4000	0,55

$\alpha_w = 0,65$ (M)
acoustical absorption class : C

Type G 6.8 % 13.2/2.8 mm

Mounted on a wooden frame with a thickness of 20 mm, filled with 20 mm of PRIMAWOOL 22.5 kg/m³.

TYPE G (wall)



INSTALLATION see page 50

A core of 16 mm in black water-resistant MDF with acoustic absorbing spun glass fabric on the back.



Top layer and backing in Print HPL 0.9 mm.
(On request: lacquer, veneer or digital print.)

Type G 6.8 % 13.2/2.8 mm

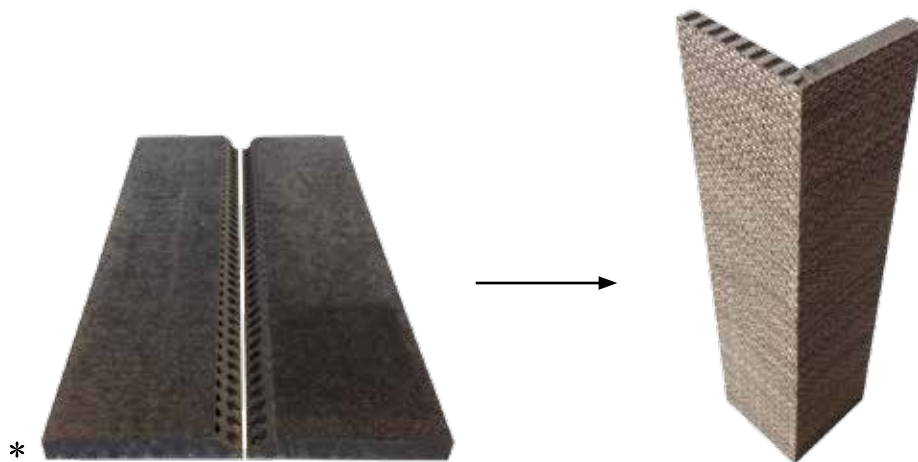
% perfo	total thickness	α_w	NRC* <small>see page 7</small>	SAA** <small>see page 7</small>
6.8 %	88 mm	0.70	0.75	0.78
	38 mm	0.65	0.70	0.69



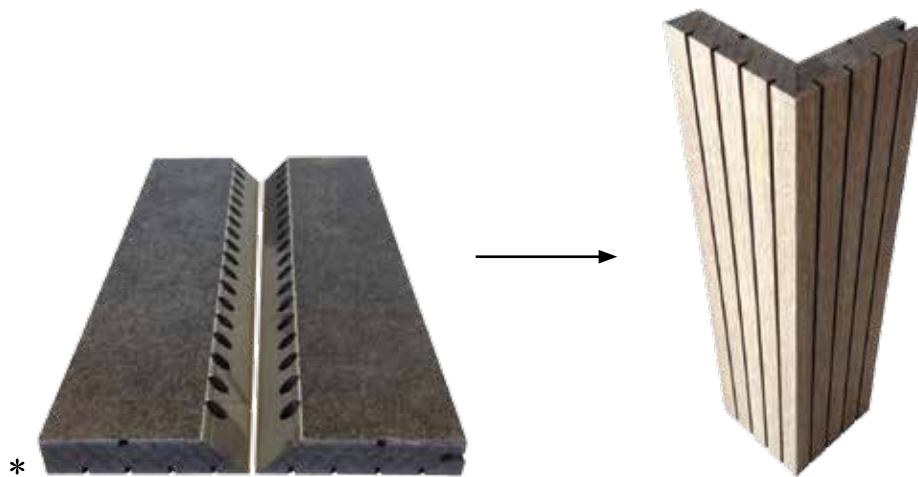
FINISHING POSSIBILITIES PRINT ACOUSTICS® PANELS

MITRE CUTTING OF EXTERIOR ANGLES

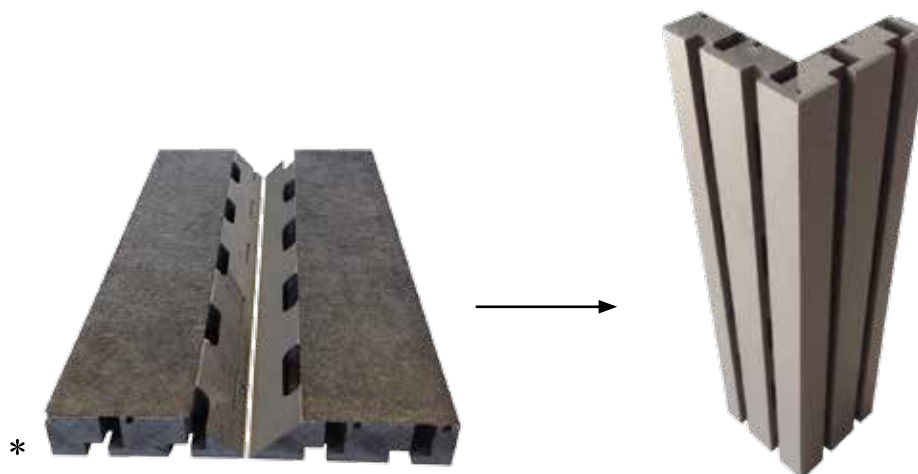
* You are responsible for the mitre cutting of the panels.



Example of mitre cutting of exterior angles - TYPE I

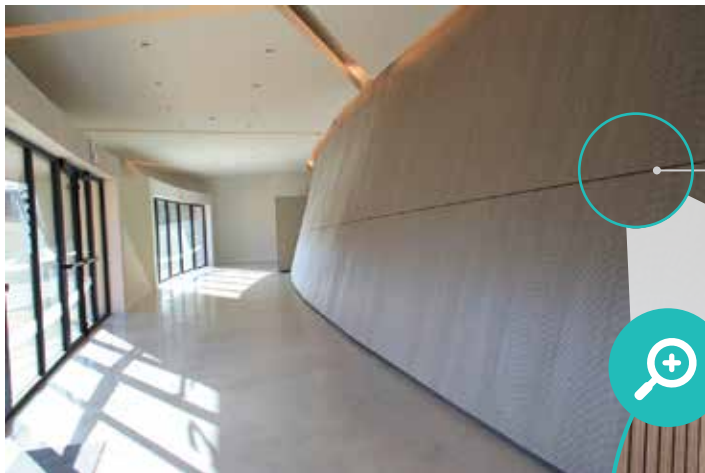


Example of mitre cutting of exterior angles - TYPE G

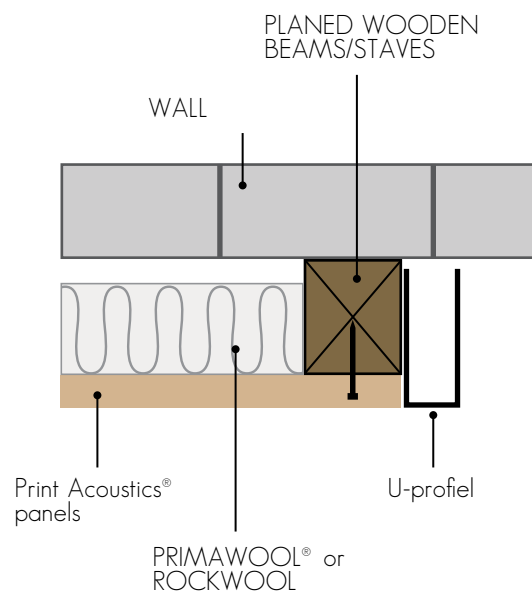


Example of mitre cutting of exterior angles - TYPE Z

FINISHING POSSIBILITIES PRINT ACOUSTICS® PANELS

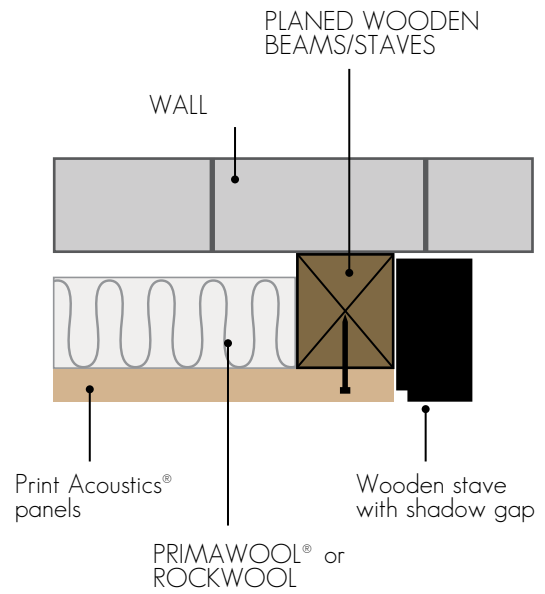


When installing grooved panels you should include a shadow gap.

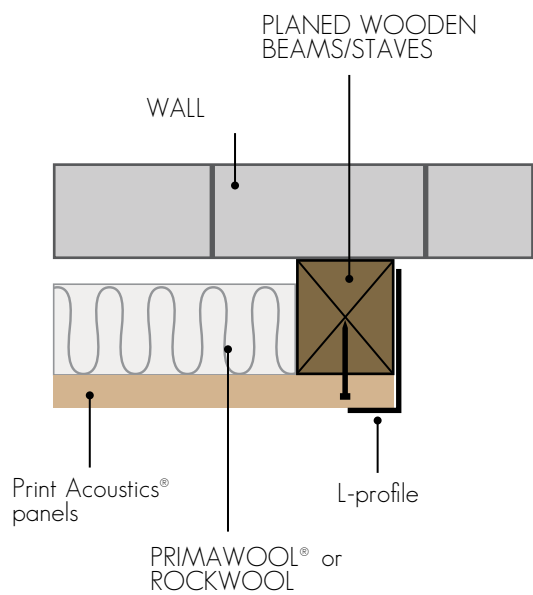


Example of finishing border with aluminium U-profile - TYPE I

FINISHING POSSIBILITIES PRINT ACOUSTICS® PANELS

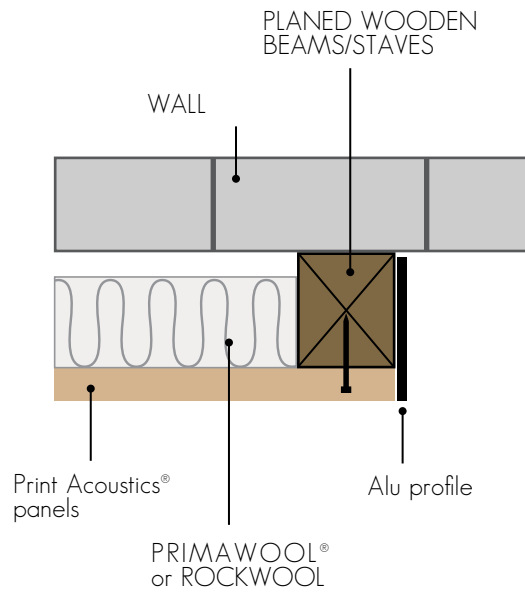


Example of finishing border with wooden stave - TYPE I

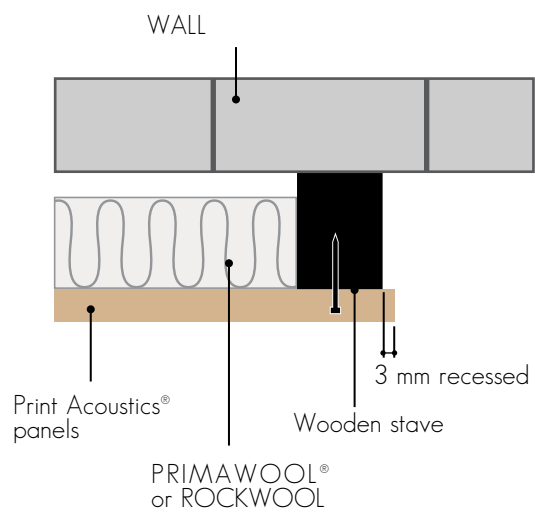


Example of finishing border with aluminium L-profile - TYPE I

FINISHING POSSIBILITIES PRINT ACOUSTICS® PANELS

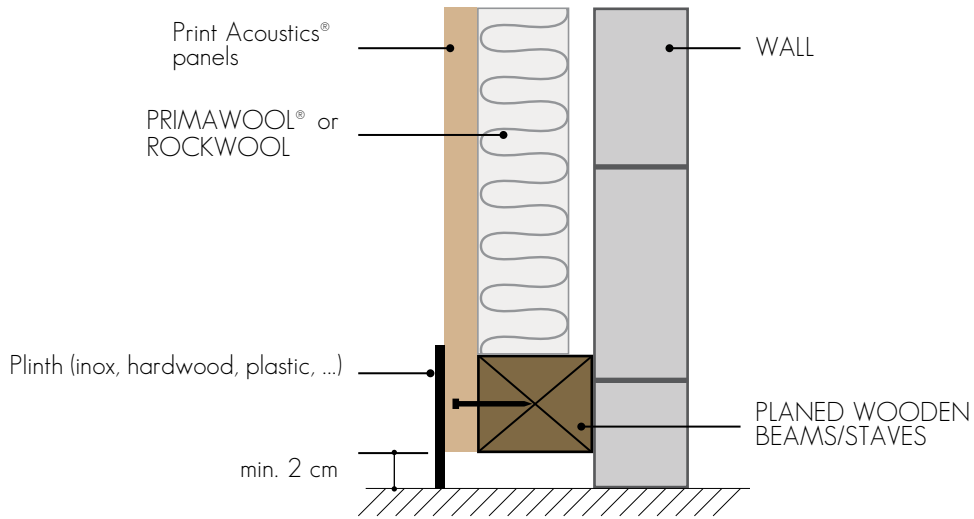


Example of finishing border with aluminium profile - TYPE I

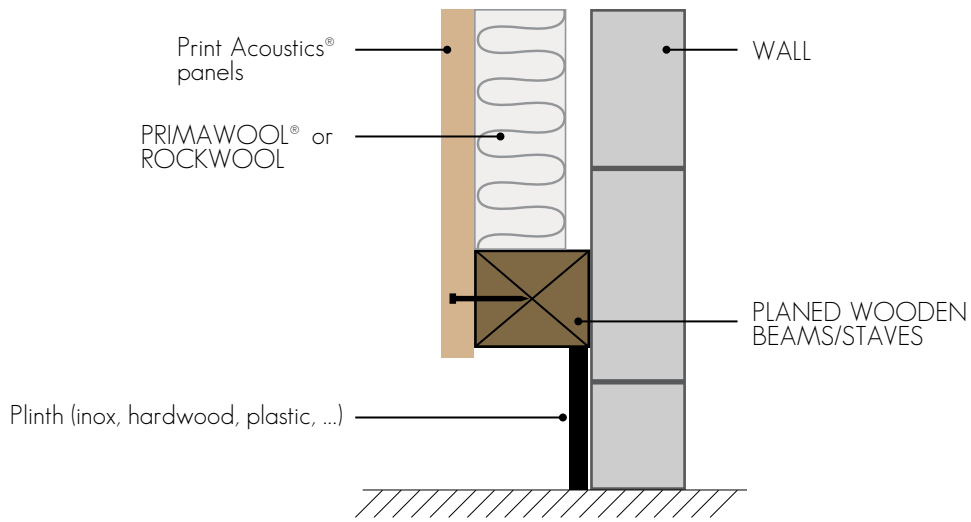


Example of finishing border with recessed wooden stave - TYPE I

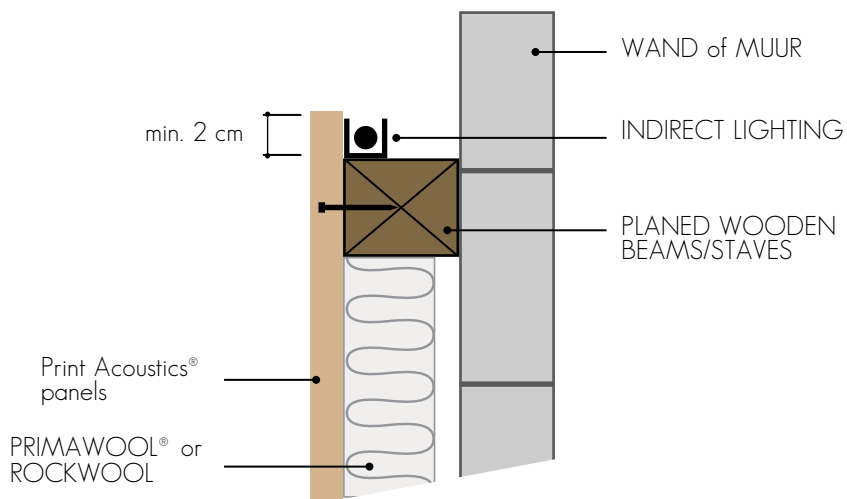
FINISHING POSSIBILITIES PRINT ACOUSTICS® PANELS



Example of finishing with plinth - version 1



Example of finishing with plinth - version 2



Example of finishing with indirect LED lighting on top